

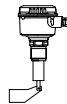
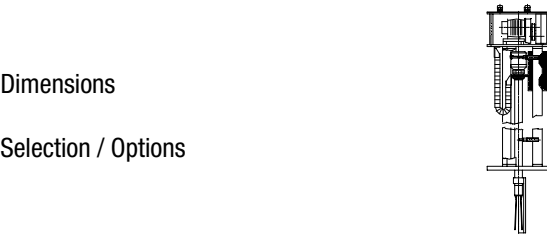
Height adjustable unit

Controllable measurement
point displacement **HFM 5**
Selection list



Table of contents

	page
Dimensions	P2
Selection / Options	P3
Spare parts	P4
VN 2030	P5
RN 3002	P6
Electrical installation	P7



Subject to technical and price change.

All dimensions in mm (inches).

All prices are EXW Betzigau, excl. packaging costs and VAT.

All units of this selection list are CE - certified

Prices are valid from 01.04.2011 until 31.03.2012 unless otherwise agreed.

By publishing this selection list all other lists become invalid.

Different variations to those specified are possible. Please contact our technical consultants.

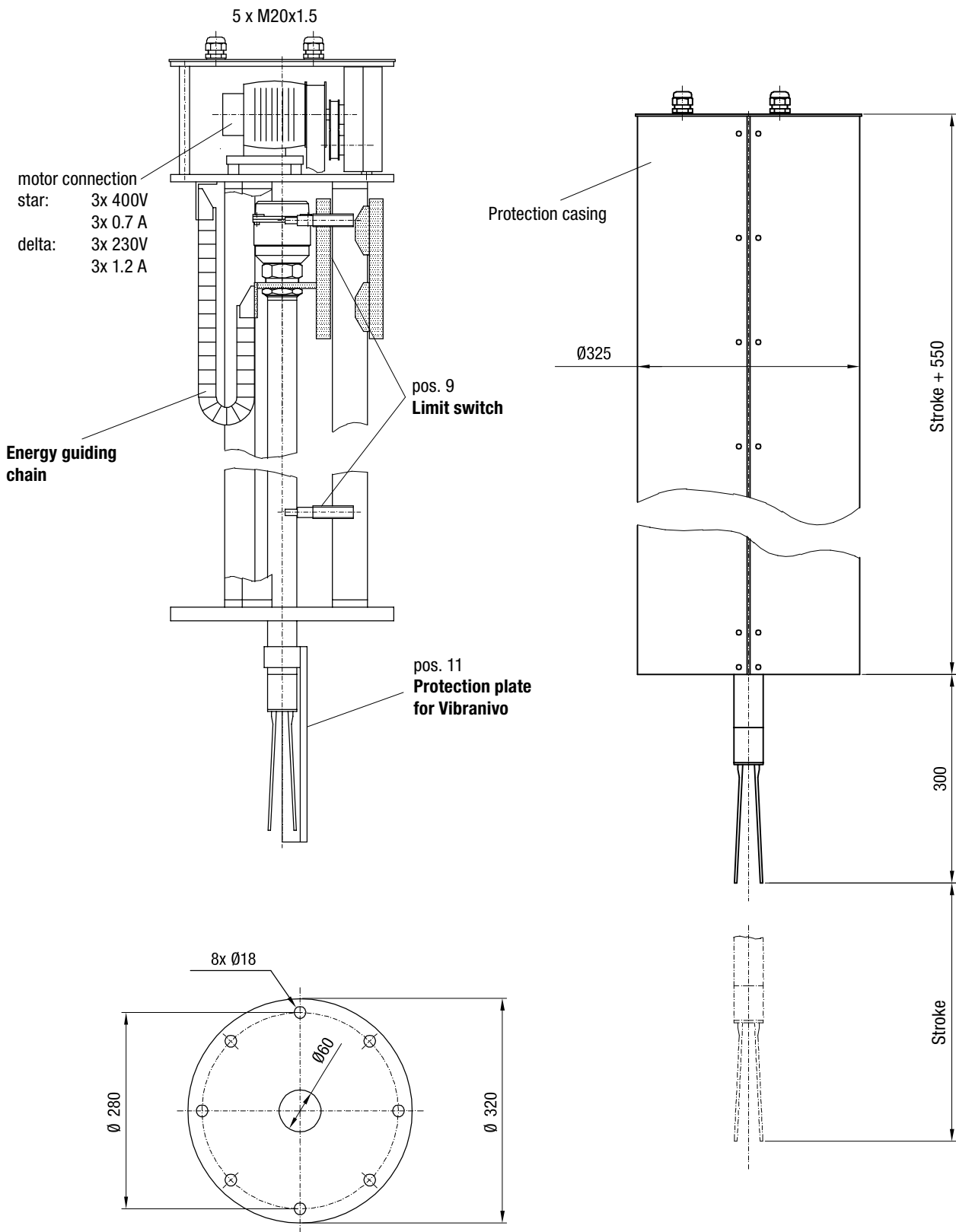
We assume no liability for typing errors.

Height adjustable unit

Controllable measurement
point displacement **HFM 5**
Selection list



Dimensions



Simply working

Height adjustable unit

Controllable measurement
point displacement **HFM 5**
Selection list



Selection / Options HFM 5

Selection

Basic instrument HFM 5

- pos. 2 **Height variation unit executed for**
A Vibranivo 2030 (not included in the price!)
B Rotonivo 3002 (not included in the price!)
- pos. 3 **Adjustable route / stroke (max. 2500mm)**
Z per started 100mm

adjustable route / stroke
max. 2500mm

HFM 5	A	Z	-	L= <input style="width: 100px;" type="text"/>	mm
Position	1	2	3		

← **Order code**

All positions are available with special equipment (use code "Z").

Options

- pos. 9 **Limit switch**
IG0006 (Twin-line, 10 - 250V AC/DC)
(ind. proximity switch from company IFM)
NF 15+U1+E2 (PNP, 10 - 30V DC)
(ind. proximity switch from company Pepperl + Fuchs)
3 S E3 200 - 1E (1u pot.-free)
(mech. positions switch from company Siemens)
IG 5401 (PNP, 10 - 36V DC)
(ind. proximity switch from company IFM)
- pos. 11 **protection plate for Vibranivo**

Special equipment on request.

Height adjustable unit

Controllable measurement
point displacement **HFM 5**
Selection list



Spare parts

Spare parts

gm301001	geared motor
hf301031	cog belt (price per 1 m)
lg300003	ball-bearing for running slide
lg300100	ball-bearing for pulley block
em302120	potentiometer
lg300120	felt stripper

Height adjustable unit

Controllable measurement
point displacement **HFM 5**
Selection list



Selection / Options / Dimensions VN 2030

Selection

Basic type VN 2030

- pos. 4 **Power supply**
 D 18..50V DC PNP
 E 19..253V AC 19..60V DC relais (SPDT)
- pos. 7 **Length of extension "L" (V2A)**
 Z (starting from 0mm) per 100mm (3.94") or part thereof
 ("L"=stroke + 535mm)

extension "L"
min. 300mm, max. 4000mm

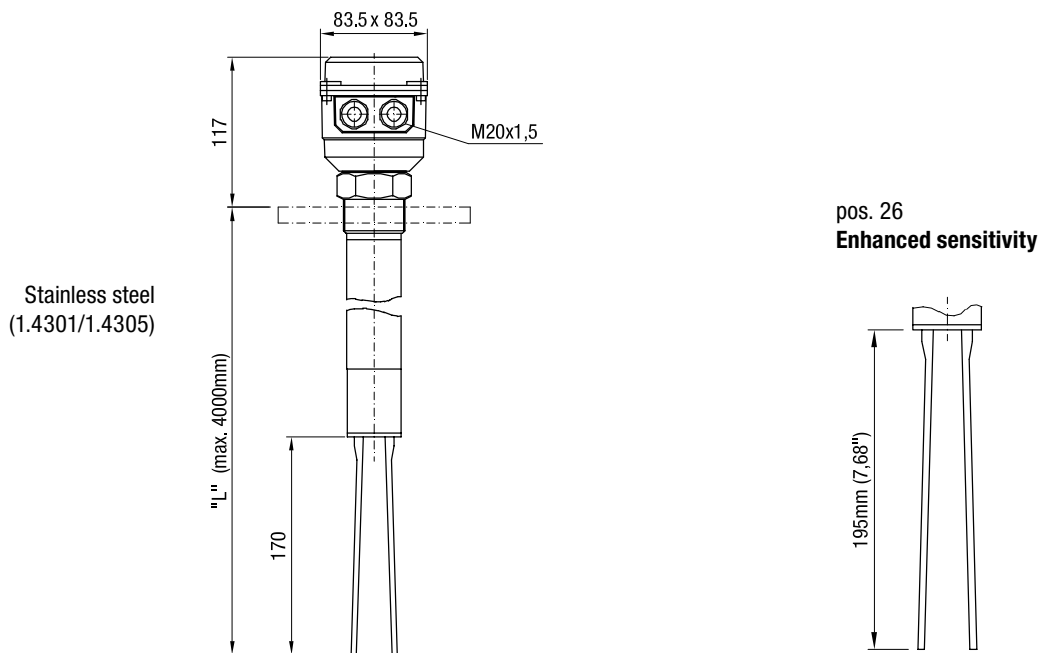
VN 2030	B	0	1		A	3	Z	1	-	L=	mm	←	Order code
Position	1	2	3	4	5	6	7	8					

All positions are available in special design (use code "Z").

Options

- pos. 26 **Enhanced sensitivity (>5g/l)**

Dimensions VN 2030



Height adjustable unit

Controllable measurement
point displacement **HFM 5**
Selection list



Selection / Dimensions RN 3002

Selection

Basic type RN 3002

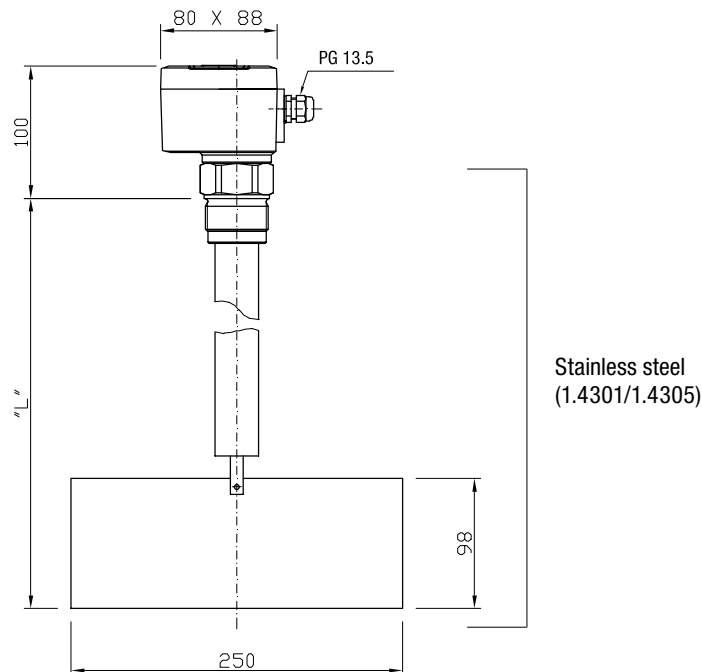
- pos. 5 **Power supply**
- A 220..240V AC 50-60 Hz
 - B 110..120V AC 50-60 Hz
 - C 48V AC 50-60 Hz
 - D 24V AC 50-60 Hz
 - E 24V DC

- pos. 8 **Extension "L"**
- Z each initial 100mm
- ("L" = stroke + 535mm)

RN 3002	B	0	1	1		A	3	Z	3	I	-	L=	mm	← Order code
Position	1	2	3	4	5	6	7	8	9	10				

All positions are available in special design (use code "Z").

Dimensions RN 3002



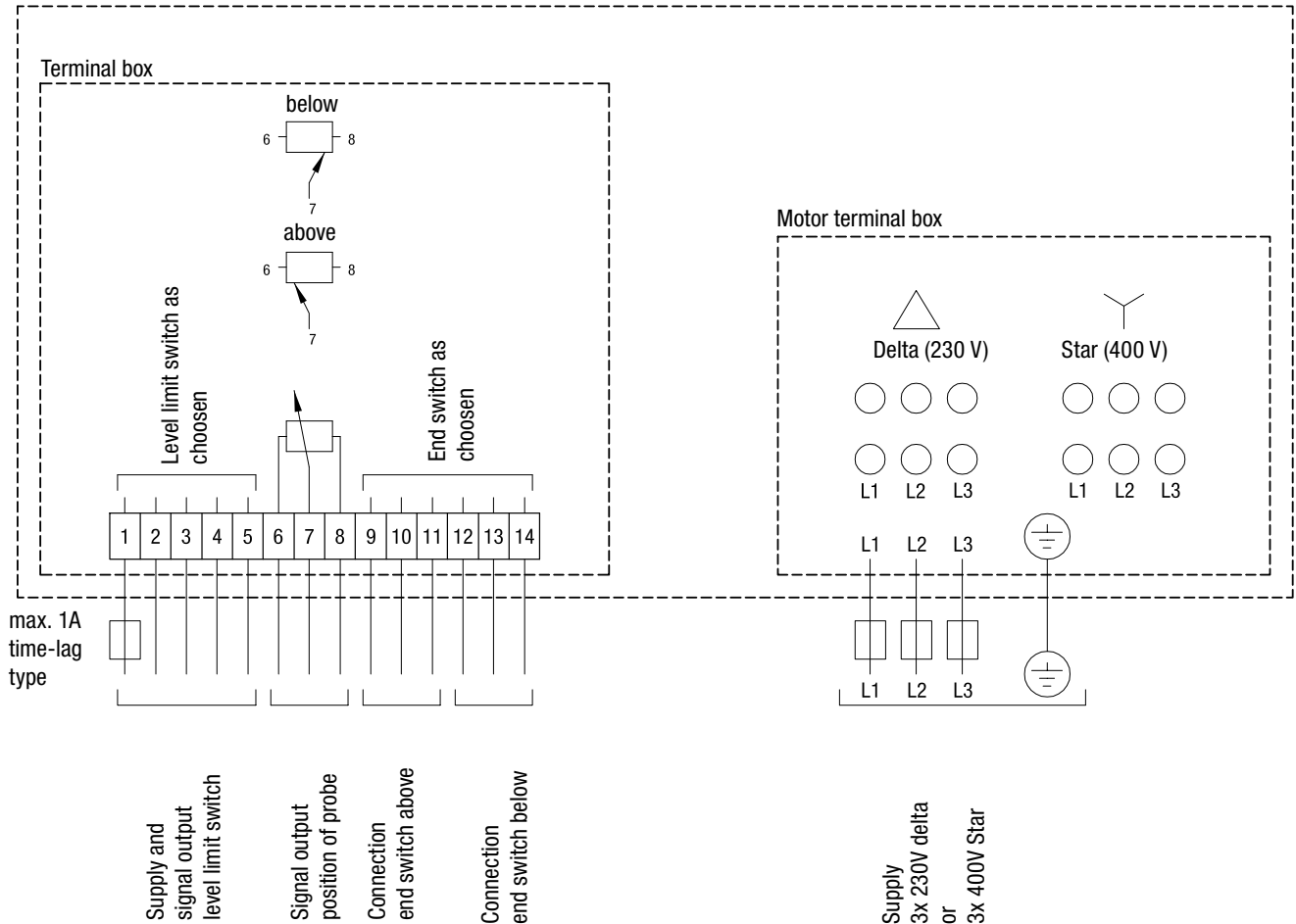
Height adjustable unit

Controllable measurement
point displacement **HFM 5**
Selection list



Electrical connection

Height adjustable unit HFM 5



Height adjustable unit

Controllable measurement
point displacement **HFM 5**
Selection list

