

Table of contents

	Page
KN 2700	P2
<hr/>	
KN 2800	P4
<hr/>	
Options KN 2700/KN 2800	P6
<hr/>	
Process connections / Spare parts	P8
<hr/>	
Electrical installation	P9

Subject to technical and price change.

All dimensions in mm (inches).

All prices are EXW Betzigau, excl. packaging costs and VAT.

All units of this selection list are CE - certified

Prices are valid from 01.04.2011 until 31.03.2012 unless otherwise agreed.

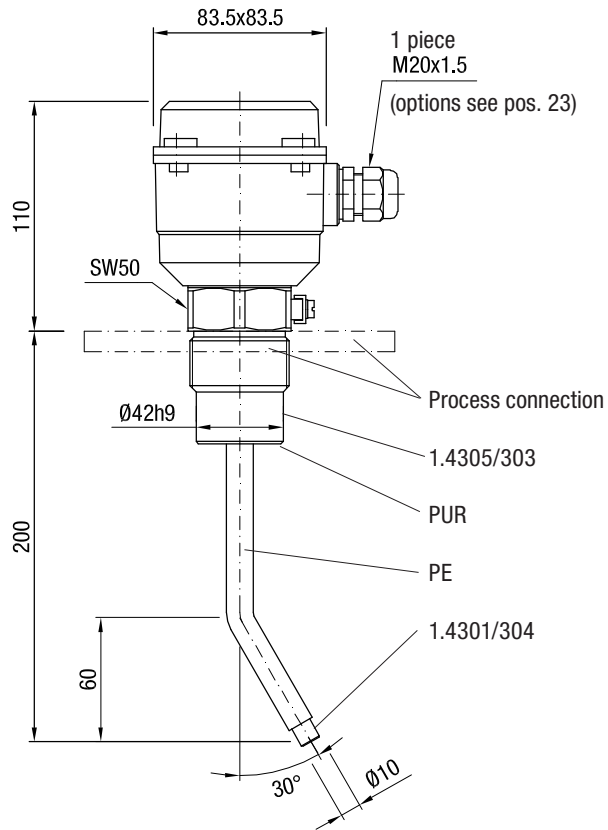
By publishing this selection list all other lists become invalid.

Different variations to those specified are possible. Please contact our technical consultants.

We assume no liability for typing errors.

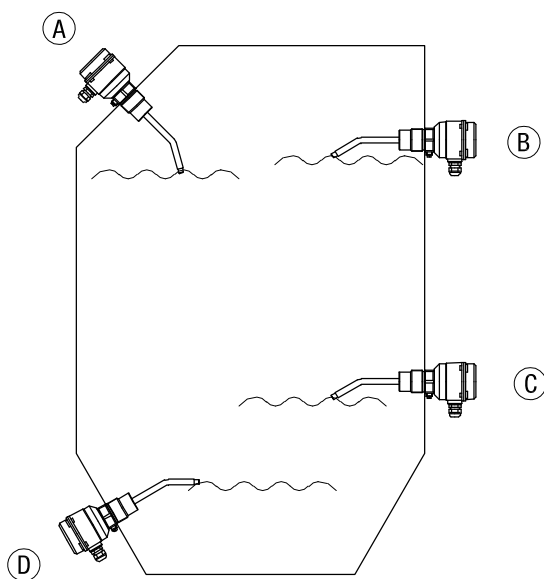
KN 2700 Dimensions / Application

Dimensions



- Compact unit
- 1 point level limit detection in conductive liquids and muds
- Full, demand, empty detector
- Wide range of applications
- No maintenance
- Enclosure IP66
- Die cast aluminium housing

Application



- A Full detector vertical and oblique from the top
- B Full detector horizontal
- C Empty detector horizontal
- D Empty detector oblique from the bottom

KN 2700 Selection

Selection

Basic type KN 2700

- pos. 2 **Power supply**
- A 220..240V AC 50-60 Hz
 - B 110..120V AC 50-60 Hz
 - C 42V AC 50-60 Hz
 - D 24V AC 50-60 Hz
 - E 20-30V DC
- pos. 3 **Process connection** (flange dimensions see page P8)
- A thread G 1½ inch, DIN 228
 - F thread NPT 1½ inch, conical ANSI B1.20.1
 - L flange DN100 PN6, EN 1092-1 (1.4541/321)
 - M flange DN100 PN16, EN 1092-1 (1.4541/321)

KN 2700	A			3	A	1
Position	1	2	3	4	5	6

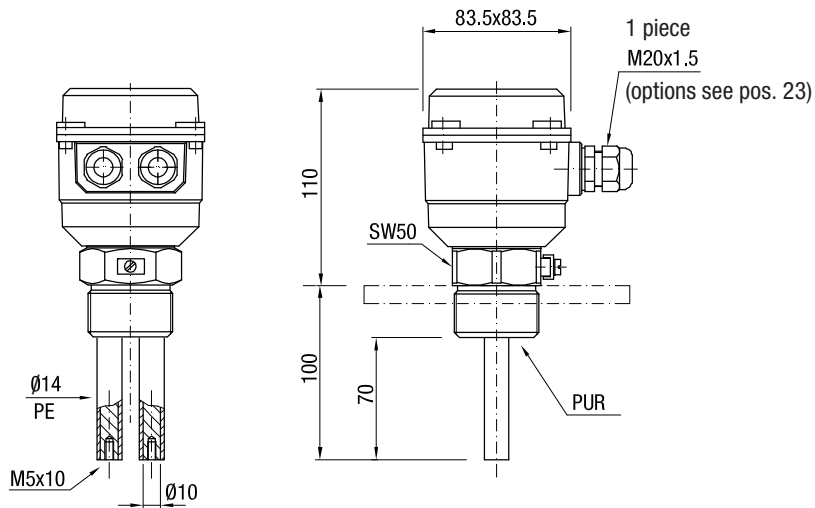
← **Order code**

All positions are available in special design (use code "Z").

KN 2800 Dimensions

2 Electrodes

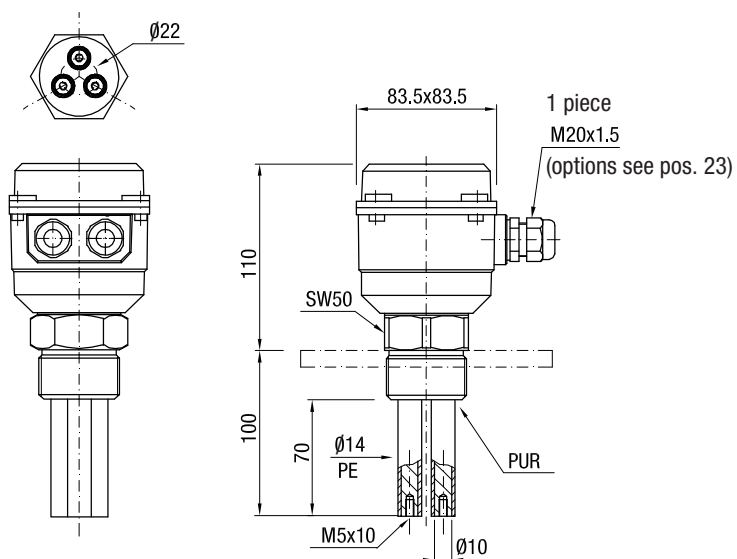
For applications with conductive vessel wall
 (pos.7, code 1)



- Compact unit
- 2 point level limit detection in conductive liquids and muds
- Full, demand, empty detector
- Wide range of applications
- No maintenance
- Enclosure IP66
- Die cast aluminium housing

3 Electrodes

For applications with non conductive vessel wall
 (pos. 7, code 2)



KN 2800 Selection

Selection

Basic type KN 2800

- Pos. 2 **Power supply**
- A 220..240V AC 50-60 Hz
 - B 110..120V AC 50-60 Hz
 - C 42V AC 50-60 Hz
 - D 24V AC 50-60 Hz
 - E 20-30V DC
- Pos. 3 **Process connection** (flange dimensions see page P8)
- A thread G 1½ inch, DIN 228
 - F thread NPT 1½ inch, conical ANSI B1.20.1
 - L flange DN100 PN6, EN 1092-1 (1.4541/321)
 - M flange DN100 PN16, EN 1092-1 (1.4541/321)
- Pos. 7 **Number of bars**
- 1 2 bars (for conductive vessel walls)
 - 2 3 bars (for non conductive vessel walls)

KN 2800	C			3	A	A	
Position	1	2	3	4	5	6	7

← **Order code**

All positions are available in special design (use code "Z").

Options

Options

pos. 21 **Weather protection cover**

Mounting set for flange mounting

process connection flange	for counter flange with	Bestehend aus			
		screw*	nut*	washer*	sealing (max. 125°C)
pos. 22c L	hole ø18	4 pieces M16x60	4 pieces M16	4 pieces	1 piece
pos. 22d L	thread M16	4 pieces M16x60		4 pieces	1 piece
pos. 22e M	hole ø18	8 pieces M16x60	8 pieces M16	8 pieces	1 piece
pos. 22f M	thread M16	8 pieces M16x60		8 pieces	1 piece

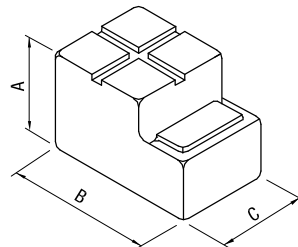
* material stainless steel A2

pos. 23 **Cable entry**
 X 2x M20x1,5 screwed cable gland
 A 2x conduit connection NPT ½" tapered ANSI B1.20.1

pos. 24 **Hexagon nut for process connection thread G 1½ inch**
 stainless steel

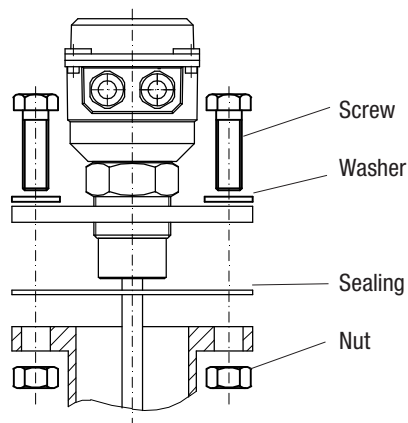
Options

pos. 21
Weather-protection cover

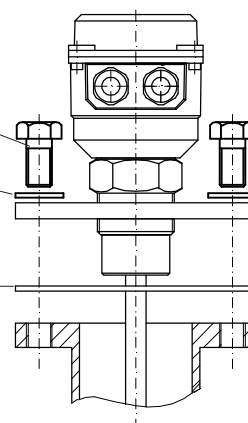


	KN 2700 KN 2800
A	100mm (3.94")
B	165mm (6.5")
C	88mm (3.46")

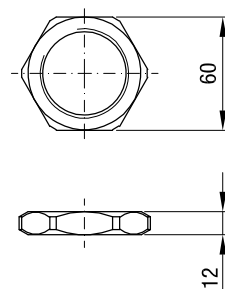
pos. 22
Mounting set for flange with hole



pos. 22
Mounting set for flange with thread



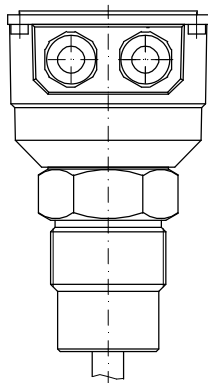
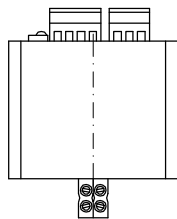
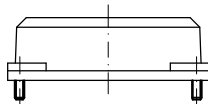
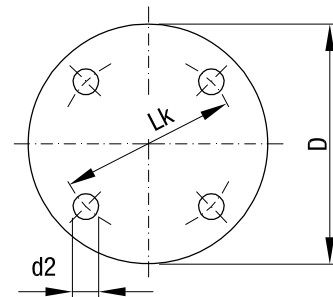
pos. 24
Hexagon nut G 1½ inch



Dimensions flanges / Spare parts

Process connections:

Code	Type	Number of holes	d2	Lk	D	T (Thickness)
L	Flange DN100 PN6	4	18	170	210	16
M	Flange DN100 PN16	8	18	180	220	20



Spare parts

KN 2700

Electronic module

pl101040	220..240V	50-60Hz
pl101030	110..120V	50-60Hz
pl101020	42V	50-60Hz
pl101000	24V	50-60Hz
pl101050	20..30V DC	

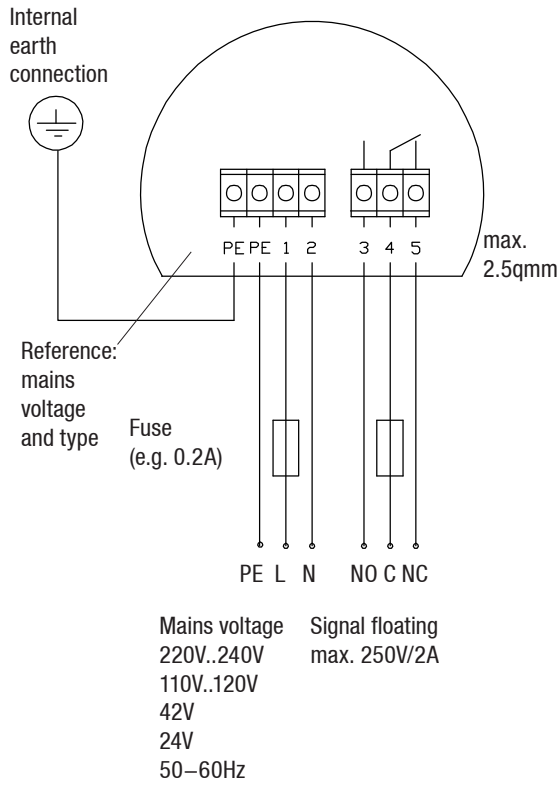
KN 2800

Electronic module

pl102040	220..240V	50-60Hz
pl102030	110..120V	50-60Hz
pl102020	42V	50-60Hz
pl102000	24V	50-60Hz
pl102050	20..30V DC	

Electrical connection

AC design



DC design

